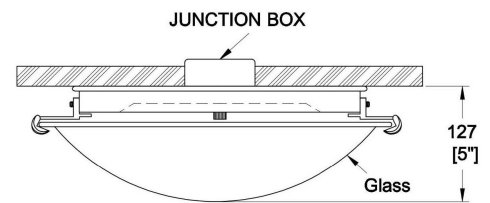


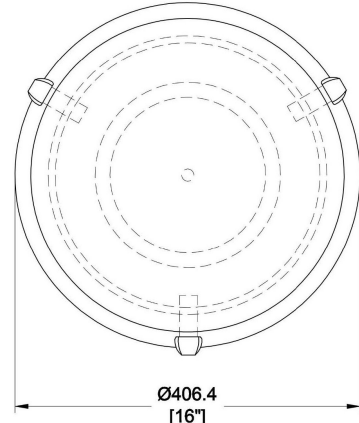
## L341-616/16

Categories: [Flush Mount](#), [LED](#)

<b>Finish:</b>	Black
<b>Width:</b>	16"
<b>Height:</b>	5"
<b>Extension:</b>	16"
<b>Hanging Weight:</b>	5lbs
<b>Lamp Type:</b>	Integral LED
<b>CRI:</b>	>90
<b>Colour Temperature:</b>	3000K
<b>LED rated life:</b>	30,000 hours
<b>Lumens:</b>	1300lm
<b>Wattage:</b>	13W
<b>Voltage:</b>	120V
<b>Dimming Percentage:</b>	100% - 10%
<b>Type of Dimmer:</b>	ELV Dimmer (not Included)
<b>Location rating:</b>	Damp
<b>Certification:</b>	c ETL us
<b>Warranty:</b>	3 Years



SIDE VIEW



TOP VIEW

### Glass Details

<b>Type:</b>	Glass
<b>Finish:</b>	Faux
<b>Number:</b>	033041
<b>Width:</b>	15 3/4"
<b>Height:</b>	3 1/2"
<b>Length:</b>	15 3/4"

Project Details