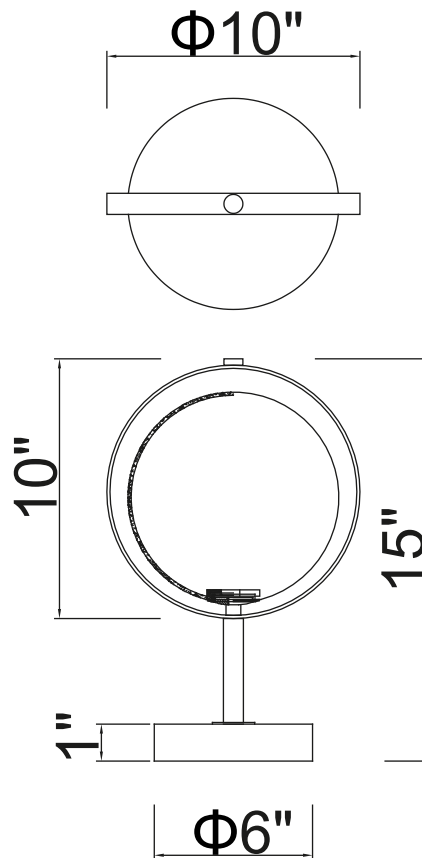




PROJECT: _____
 FIXTURE TYPE: _____
 LOCATION: _____
 CONTACT/PHONE: _____



| | |
|------------|-----------------|
| Item | 1153T10-1-169 |
| Collection | DA VINCI |
| Finish | Medallion Gold |
| Glass | Frosted |
| Crystal | ----- |
| Input | 120V AC,60HZ,AC |

| | |
|-------------|-------|
| Shade | ----- |
| Length/Dia. | 10" |
| Width/Ext. | ----- |
| Height | 10" |
| Maximum | 15" |
| Lumens | ----- |

| | |
|--------------|---------|
| Light Source | LED G9 |
| Bulb Info. | 1×MAX7W |
| Included | ----- |
| Dimmable | Yes |
| Color | ----- |
| Weight | ----- |